

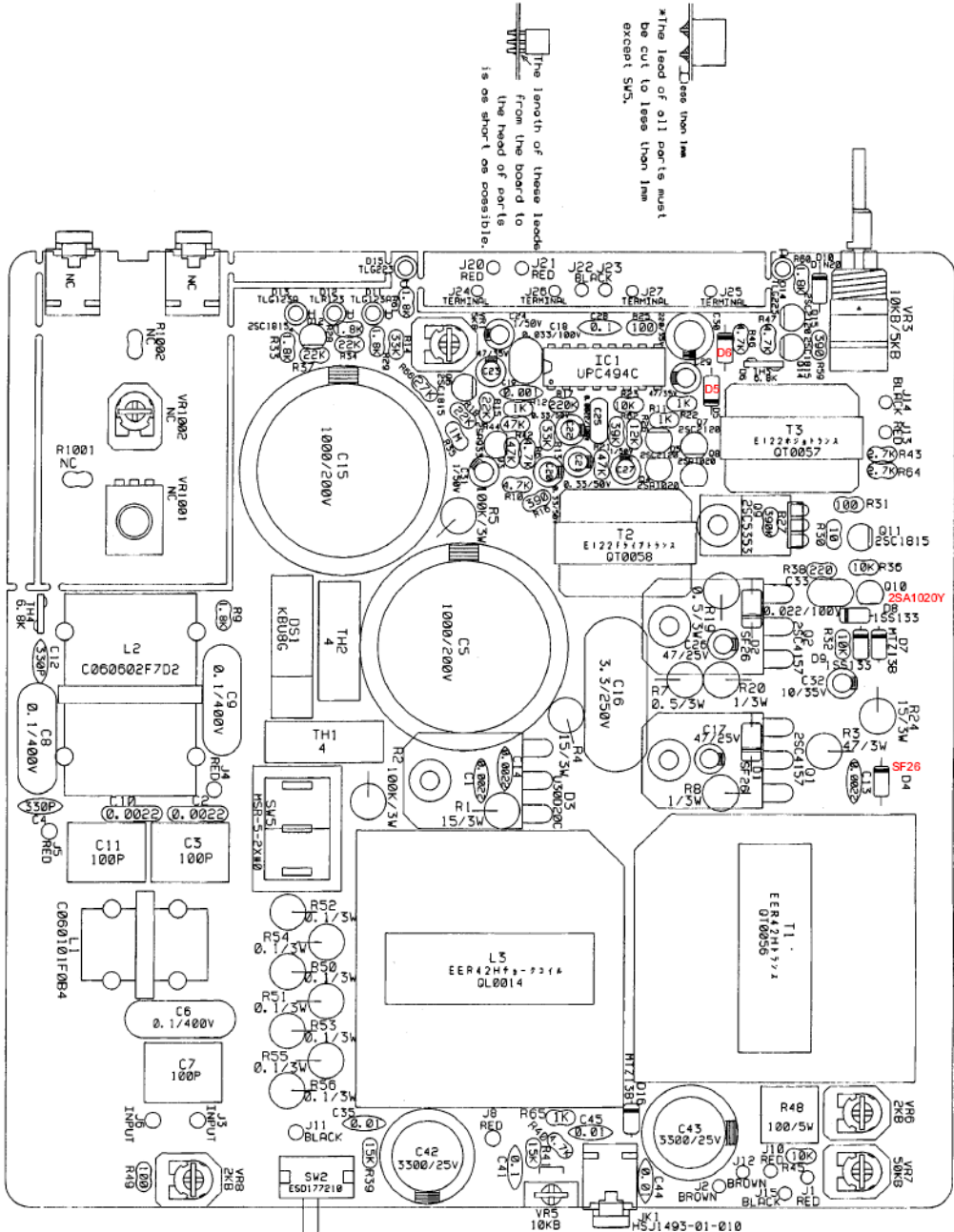
Alinco DM-330MW

service manual



The length of these leads from the board to the head of parts is as short as possible.

The lead of all parts must be cut to less than 1mm except SMD.



Tube (15mm) D11, D13, D14, D15
Put the tube (15mm) on to the lead of the parts before installing it to the board. Please be careful about the polarity of diode.

Tube (15mm) D12
Put the tube (15mm) on to the lead of the parts before installing it to the board. Please be careful about the polarity of diode.

Tube (15mm) TH4
Put the tube (15mm) on to the lead of the parts before installing it to the board.

D51
Put bond on both side of D51 after installation.

VRS
*Install VRS in B side.

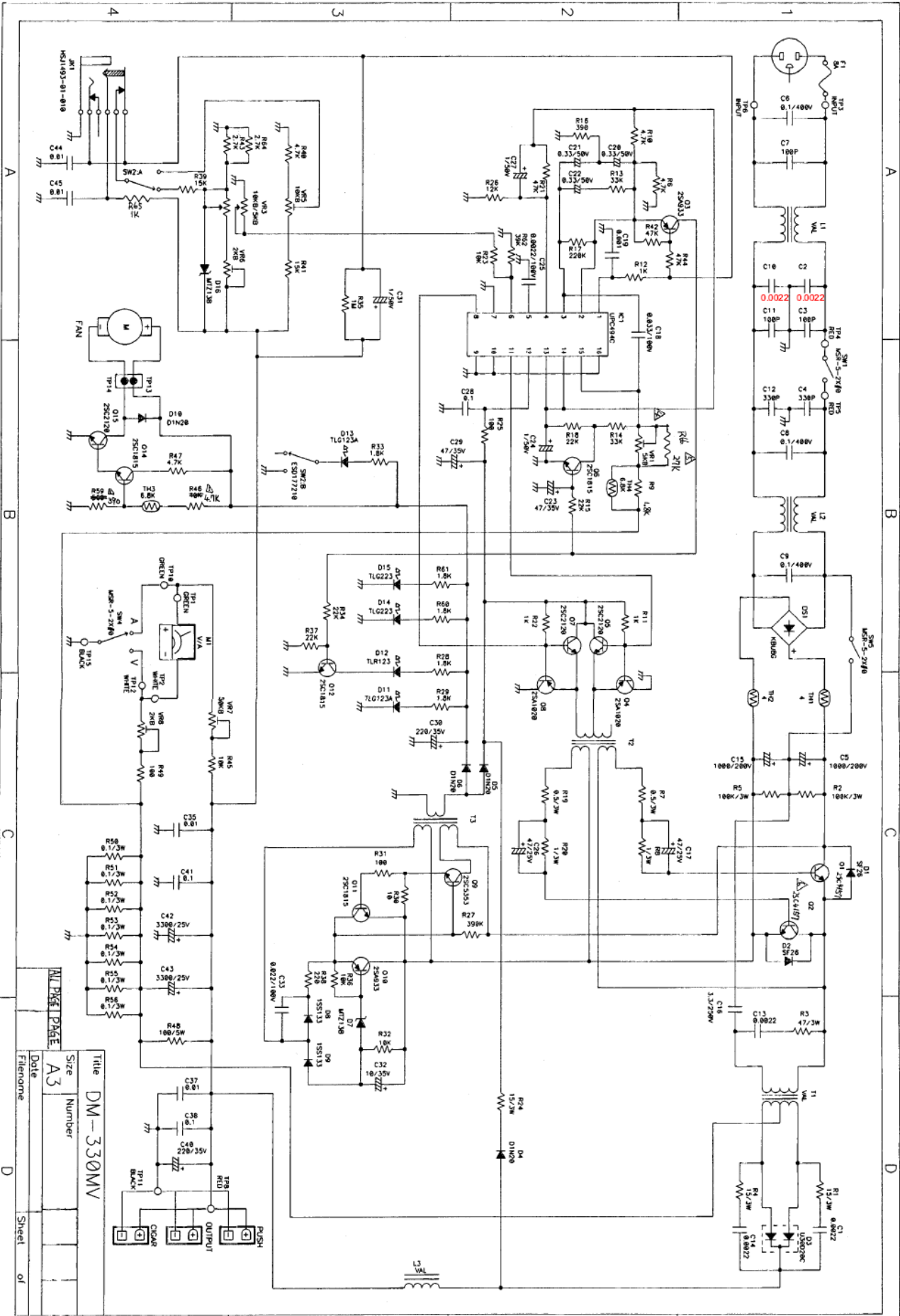
C5, C15, C42, C43
Put on the board after installation.

L1, L2
Put on the board before installation.

*Install 01, 02, 09 and 03 during assembly.

指示书编号 / 寸法公差	
材料	数量
设计	尺寸
制作	1.3
外观	1
检查	
装配	
零件名 (品番)	数量
UP0380A	
基板部品実装図	
図番	
機種	
DM330MV/MV7/MVZ	
部品名	
UP0380A	
基板部品実装図	
図番	

サカイ工業株式会社



Title		DM-330MV	
Size	Number	A3	
Date	File Name		
Sheet		of	

PL PAGE

DM-330MV

DM-330MV

DM-330MV

DM-330MV

DM-330MV

DM-330MV

Adjustment

ALL PAGE

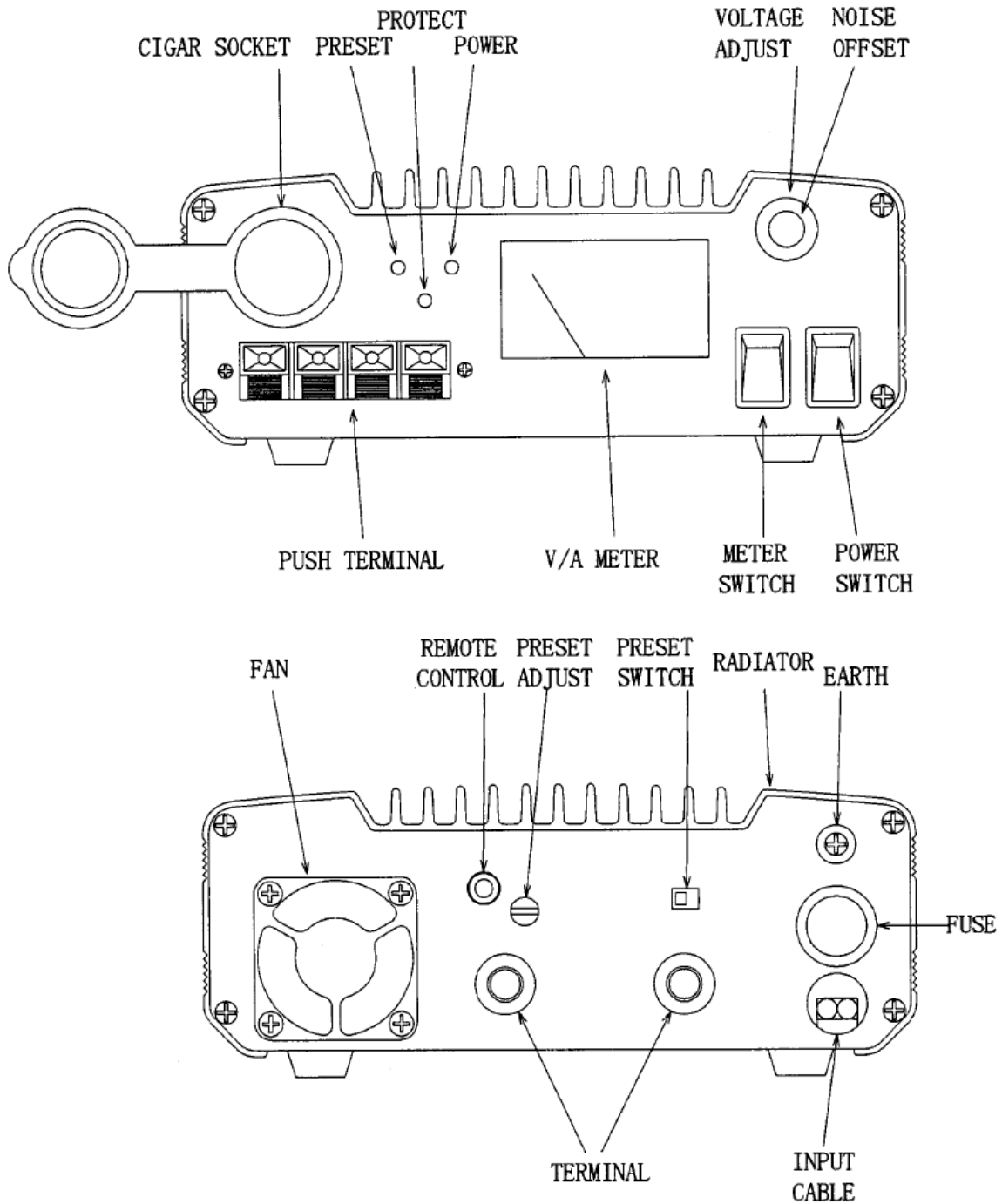
JOB

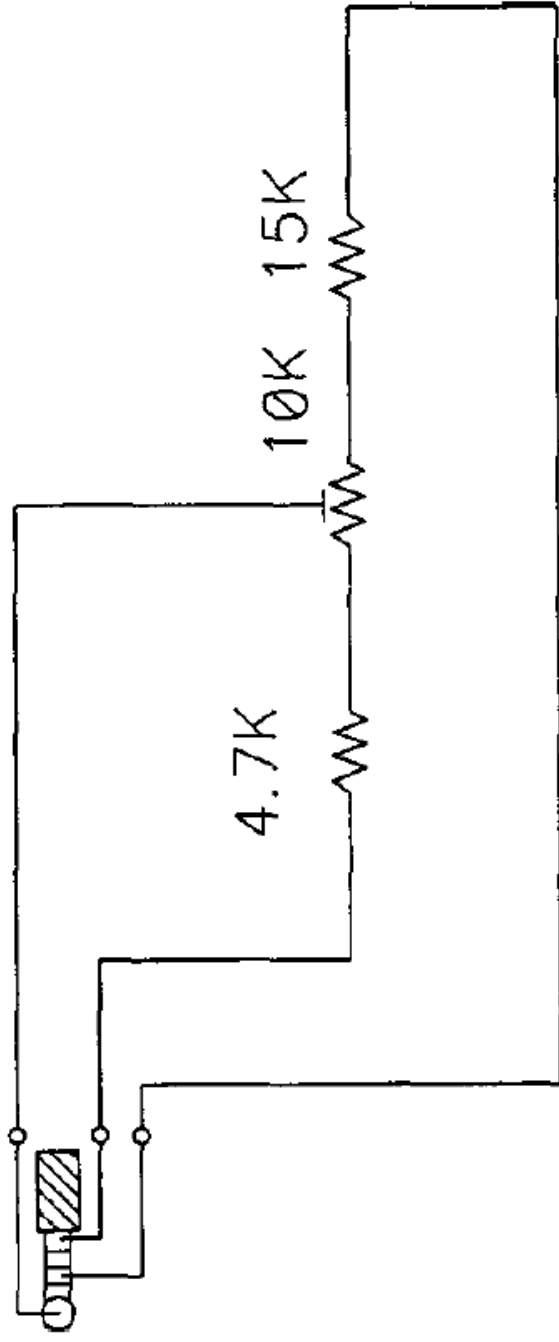
PAGE

機種

DM330MV

7 / 6





DM330MV/MVT/MVZ Parts List

ELECTRIC PARTS

Reference No.	Part No.(ALINCO)	Part Name	Part Item (Value)	Model / Q.ty		
				DM330MV	DM330MVT	DM330MVZ
	UP0380A	DM330MV INTEGRATED	PCB	1	1	1
	TT1002	TUBE 1.0 1MM#	TUBE	122	122	122
C1	CK0013	DE0705-1E222Z1K	0.0022	1	1	1
C10	CK0013	DE0705-1E222Z1K	0.0022	1	1	1
C11	CC6006	DE0910-1B101K-KX	100P	1	1	1
C12	CC6003	DE0405-1B331K1K	330P	1	1	1
C13	CK0013	DE0705-1E222Z1K	0.0022	1	1	1
C14	CK0013	DE0705-1E222Z1K	0.0022	1	1	1
C15	CE0399	200PL1000FZD	1000/200V	1	1	1
C16	CQ0014	ECQE2335JF	3.3/250V	1	1	1
C17	CE0401	25MV47AX	47/25V	1	1	1
C18	CQ0016	ECQB1333JF	0.033/100V	1	1	1
C19	CK0003	DD104-63B102K50	0.001	1	1	1
C2	CK0013	DE0705-1E222Z1K	0.0022	1	1	1
C20	CE0402	50MVR33SWN	0.33/50V	1	1	1
C21	CE0402	50MVR33SWN	0.33/50V	1	1	1
C22	CE0402	50MVR33SWN	0.33/50V	1	1	1
C23	CE0400	35MV47HC	47/35V	1	1	1
C24	CE0007	50MV 1HC	1/50V	1	1	1
C25	CQ0015	ECQB1222JF	0.0022/100V	1	1	1
C26	CE0401	25MV47AX	47/25V	1	1	1
C27	CE0007	50MV 1HC	1/50V	1	1	1
C28	CK0005	DD308-63F104Z50	0.1	1	1	1
C29	CE0400	35MV47HC	47/35V	1	1	1
C3	CC6006	DE0910-1B101K-KX	100P	1	1	1
C30	CE0019	35MV 220HC	220/35V	1	1	1
C31	CE0007	50MV 1HC	1/50V	1	1	1
C32	CE0053	35MV 10HC	10/35V	1	1	1

C33	CQ0013	ECQB1223JF	0.022/100V	1	1	1
C35	CK0002	DD106-63F103Z50	0.01	1	1	1
C37	CK0002	DD106-63F103Z50	0.01	1	1	1
C38	CK0005	DD308-63F104Z50	0.1	1	1	1
C4	CC6003	DE0405-1B331K1K	330P	1	1	1
C40	CE0388	ECA1VM221	220/35V	1	1	1
C41	CK0005	DD308-63F104Z50	0.1	1	1	1
C42	CE0398	25MV3300AX	3300/25V	1	1	1
C43	CE0398	25MV3300AX	3300/25V	1	1	1
C44	CK0002	DD106-63F103Z50	0.01	1	1	1
C45	CK0002	DD106-63F103Z50	0.01	1	1	1
C5	CE0399	200PL1000FZD	1000/200V	1	1	1
C6	CQ0012	ECQE2A104JF	0.1/250V	1	1	1
C7	CC6006	DE0910-1B101K-KX	100P	1	1	1
C8	CQ0012	ECQE2A104JF	0.1/250V	1	1	1
C9	CQ0012	ECQE2A104JF	0.1/250V	1	1	1
D1	XD0335	SF26	SF26	1	1	1
D10	XD0327	D1N60-4070	D1N20	1	1	1
D11	XL0092	MPG3338S	MPG3338S	1	1	1
D12	XL0099	MPR3338S	MPR3338S	1	1	1
D13	XL0092	MPG3338S	MPG3338S	1	1	1
D14	XL0100	MPG4361F	MPG4361F	1	1	1
D15	XL0100	MPG4361F	MPG4361F	1	1	1
D16	XD0336	MTZJ13B	MTZJ13B	1	1	1
D2	XD0335	SF26	SF26	1	1	1
D3	XD0333	U30D20C	U30D20C	1	1	1
D4	XD0335	SF26	SF26	1	1	1
D5	XD0335	SF26	SF26	1	1	1
D6	XD0335	SF26	SF26	1	1	1
D7	XD0336	MTZJ13B	MTZJ13B	1	1	1
D8	XD0038	1SS133	1SS133	1	1	1
D9	XD0038	1SS133	1SS133	1	1	1
DS1	XD0334	KBU804G	KBU8G	1	1	1
F1	EF0019	FGBO 250V 4A	4A	1	1	0
F1	EF0001	FGBO 125V 8A	8A	0	0	1
FA1	ET0012	FAN FD2440107S-1N	FAN FD2440107S	1	1	1
IC1	XA0634	UPC494C	UPC494C	1	1	1

J1	MGAJ22CC	WIRE #26G05-220-05	GREEN	1	1	1
J10	MRAJ07CC	WIRE #26R05-070-05	RED	1	1	1
J11	MBBD07DD	WIRE #16B07-070-07	BLACK	1	1	1
J12	MYAJ07CC	WIRE #26Y05-070-05	YELLOW	1	1	1
J15	MBAJ22CC	WIRE #26B05-220-05	BLACK	1	1	1
J2	MWAJ22CC	WIRE #26W05-220-05	WHITE	1	1	1
J20	MRBD22DD	WIRE #16R07-220-07	RED	1	1	1
J21	MRBD07DD	WIRE #16R07-070-07	RED	1	1	1
J22	MBBD22DD	WIRE #16B07-220-07	BLACK	1	1	1
J23	MBBD07DD	WIRE #16B07-070-07	BLACK	1	1	1
J3	MRBD07DD	WIRE #16R07-070-07	RED	1	1	1
J30	MBBD04CC	WIRE #16B05-040-05	BLACK	1	1	1
J31	MBBD04CC	WIRE #16B05-040-05	BLACK	1	1	1
J4	UX1263	WIRE SW1	UX1263	1	1	1
J5	UX1263	WIRE SW1	UX1263	1	1	1
J6	UA0071Z	KP419SLTCE-2F0.75SQ	KP419SL	1	0	0
J6	UA0070	120V PHP-201	120V PHP-201	0	1	0
J6	UA0069	TA-27B 12A-125V	TA-27B 12A-125V	0	0	1
J8	MRBD07DD	WIRE #16R07-070-07	RED	1	1	1
JK1	UJ0019	HSJ1493-01-010	HSJ1493-01-010	1	1	1
L1	QL0016	C060101F0B4	VAL	1	1	1
L2	QL0015	C060602F7D2	VAL	1	1	1
L3	QL0014	EER42H CHOKE COILK	EER42H CHOKE COILK	1	1	1
M1	EM0038	EM0038 (P-55L-9177)	V/A	1	1	1
Q1	XT0179	2SC4157	2SC4157	1	1	1
Q10	XT0167	2SA1020Y	2SA1020	1	1	1
Q11	XT0006	2SC1815Y	2SC1815	1	1	1
Q12	XT0006	2SC1815Y	2SC1815	1	1	1
Q14	XT0006	2SC1815Y	2SC1815	1	1	1
Q15	XT0004	2SC2120Y	2SC2120	1	1	1
Q2	XT0179	2SC4157	2SC4157	1	1	1
Q3	XT0169	2SA933ASTPR	2SA933	1	1	1
Q4	XT0167	2SA1020Y	2SA1020	1	1	1
Q5	XT0004	2SC2120Y	2SC2120	1	1	1
Q6	XT0006	2SC1815Y	2SC1815	1	1	1
Q7	XT0004	2SC2120Y	2SC2120	1	1	1
Q8	XT0167	2SA1020Y	2SA1020	1	1	1

Q9	XT0177	2SC5353	2SC5353	1	1	1
R1	RE0028	SPRX3 15	15/3W	1	1	1
R10	RD0045	RD16S 4.7K OHM J	4.7K	1	1	1
R11	RD0035	RD16S 1.0K OHM J	1K	1	1	1
R12	RD0035	RD16S 1.0K OHM J	1K	1	1	1
R13	RD0059	RD16S 33K OHM J	33K	1	1	1
R14	RD0059	RD16S 33K OHM J	33K	1	1	1
R15	RD0056	RD16S 22K OHM J	22K	1	1	1
R16	RD0027	RD16S 390 OHM J	390	1	1	1
R17	RD0073	RD16S 220K OHM J	220K	1	1	1
R18	RD0056	RD16S 22K OHM J	22K	1	1	1
R19	RE0030	SPRX3 0R5	0.5/3W	1	1	1
R2	RE0026	SPRX3 100K	100K/3W	1	1	1
R20	RE0029	SPRX3 1	1/3W	1	1	1
R21	RD0062	RD16S 47K OHM J	47K	1	1	1
R22	RD0035	RD16S 1.0K OHM J	1K	1	1	1
R23	RD0052	RD16S 10K OHM J	10K	1	1	1
R24	RE0027	SPRX3 47	47/3W	1	1	1
R25	RD0018	RD16S 100 OHM J	100	1	1	1
R26	RD0053	RD16S 12K OHM J	12K	1	1	1
R27	RD0078	RD16S 390K OHM J	390K	1	1	1
R28	RD0038	RD16S 1.8K OHM J	1.8K	1	1	1
R29	RD0038	RD16S 1.8K OHM J	1.8K	1	1	1
R3	RE0027	SPRX3 47	47/3W	1	1	1
R30	RD0001	RD16S 10 OHM J	10	1	1	1
R31	RD0018	RD16S 100 OHM J	100	1	1	1
R32	RD0052	RD16S 10K OHM J	10K	1	1	1
R33	RD0038	RD16S 1.8K OHM J	1.8K	1	1	1
R34	RD0056	RD16S 22K OHM J	22K	1	1	1
R35	RD0086	RD16S 1.0M OHM J	1M	1	1	1
R36	RD0052	RD16S 10K OHM J	10K	1	1	1
R37	RD0056	RD16S 22K OHM J	22K	1	1	1
R38	RD0022	RD16S 220 OHM J	220	1	1	1
R39	RD0054	RD16S 15K OHM J	15K	1	1	1
R4	RE0028	SPRX3 15	15/3W	1	1	1
R40	RD0045	RD16S 4.7K OHM J	4.7K	1	1	1
R41	RD0054	RD16S 15K OHM J	15K	1	1	1

R42	RD0062	RD16S 47K OHM J	47K	1	1	1
R43	RD0039	RD16S 2.2K OHM J	2.2K	1	1	1
R44	RD0062	RD16S 47K OHM J	47K	1	1	1
R45	RD0052	RD16S 10K OHM J	10K	1	1	1
R46	RD0043	RD16S 3.6K OHM J	3.6K	1	1	1
R47	RD0045	RD16S 4.7K OHM J	4.7K	1	1	1
R48	RE0025	RQA5W 100 OHM L=35MM	100/5W	1	1	1
R49	RD0018	RD16S 100 OHM J	100	1	1	1
R5	RE0026	SPRX3 100K	100K/3W	1	1	1
R50	RE0024	SPRX3 0R1	0.1/3W	1	1	1
R51	RE0024	SPRX3 0R1	0.1/3W	1	1	1
R52	RE0024	SPRX3 0R1	0.1/3W	1	1	1
R53	RE0024	SPRX3 0R1	0.1/3W	1	1	1
R54	RE0024	SPRX3 0R1	0.1/3W	1	1	1
R55	RE0024	SPRX3 0R1	0.1/3W	1	1	1
R56	RE0024	SPRX3 0R1	0.1/3W	1	1	1
R59	RD0027	RD16S 390 OHM J	390	1	1	1
R6	RD0045	RD16S 4.7K OHM J	4.7K	1	1	1
R60	RD0038	RD16S 1.8K OHM J	1.8K	1	1	1
R61	RD0038	RD16S 1.8K OHM J	1.8K	1	1	1
R62	RD0061	RD16S 39K OHM J	39K	1	1	1
R64	RD0039	RD16S 2.2K OHM J	2.2K	1	1	1
R65	RD0035	RD16S 1.0K OHM J	1K	1	1	1
R66	RD0057	RD16S 27K OHM J	27K	1	1	1
R7	RE0030	SPRX3 0R5	0.5/3W	1	1	1
R8	RE0029	SPRX3 1	1/3W	1	1	1
R9	RD0040	RD16S 2.7K OHM J	2.7K	1	1	1
SW1	UG0026	MSR-5-2X#0	MSR-5-2X#0	1	1	1
SW2	US0023	ESD177210	ESD177210	1	1	1
SW4	UG0026	MSR-5-2X#0	MSR-5-2X#0	1	1	1
SW5	UG0026	MSR-5-2X#0	MSR-5-2X#0	1	1	1
T1	QT0056	EER42H TRANS	EER42H TRANS	1	1	1
T2	QT0058	EI22 TRANS	EI22 TRANS	1	1	1
T3	QT0057	EI22 TRANS	EI22 TRANS	1	1	1
TH1	XS0041	NTH18D4R0LA	4	1	1	1
TH2	XS0041	NTH18D4R0LA	4	1	1	1
TH3	XS0042	ERTD2FHK802S	8.2K	1	1	1

TH4	XS0042	ERTD2FHK802S	8.2K	1	1	1
VR1	RH0039	807M B5K	5KB	1	1	1
VR3	RV0043	RK0972210(10KB/5KB)	10KB/5KB	1	1	1
VR5	RH0176	VZ084TH1B-B103	10KB	1	1	1
VR6	RH0034	807M B2K	2KB	1	1	1
VR7	RH0035	807M B50K	50KB	1	1	1
VR8	RH0034	807M B2K	2KB	1	1	1